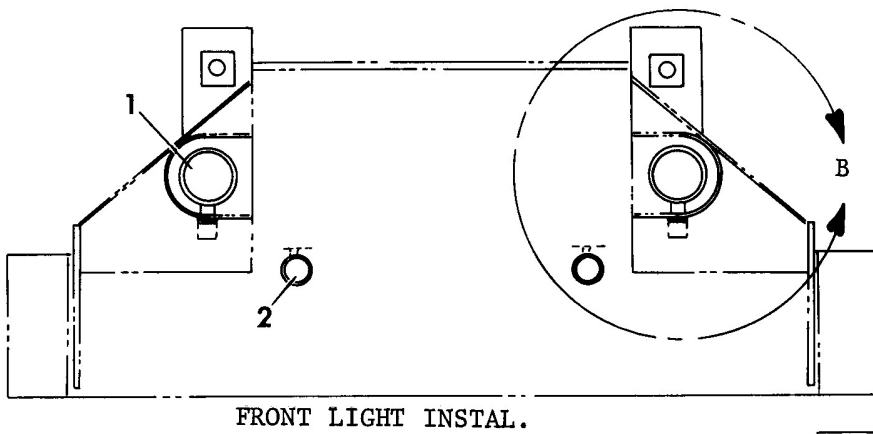
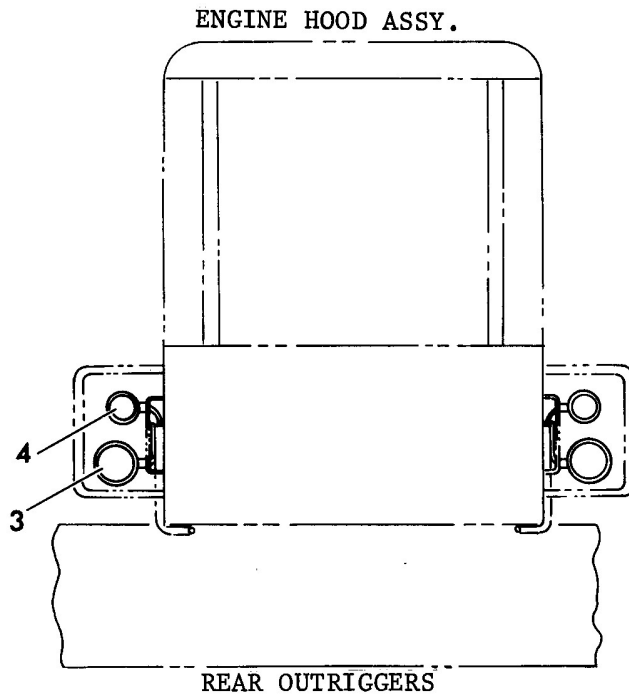


# Manitowoc Crane Group



ITEMS 5, 6 & 15 NOT SHOWN

